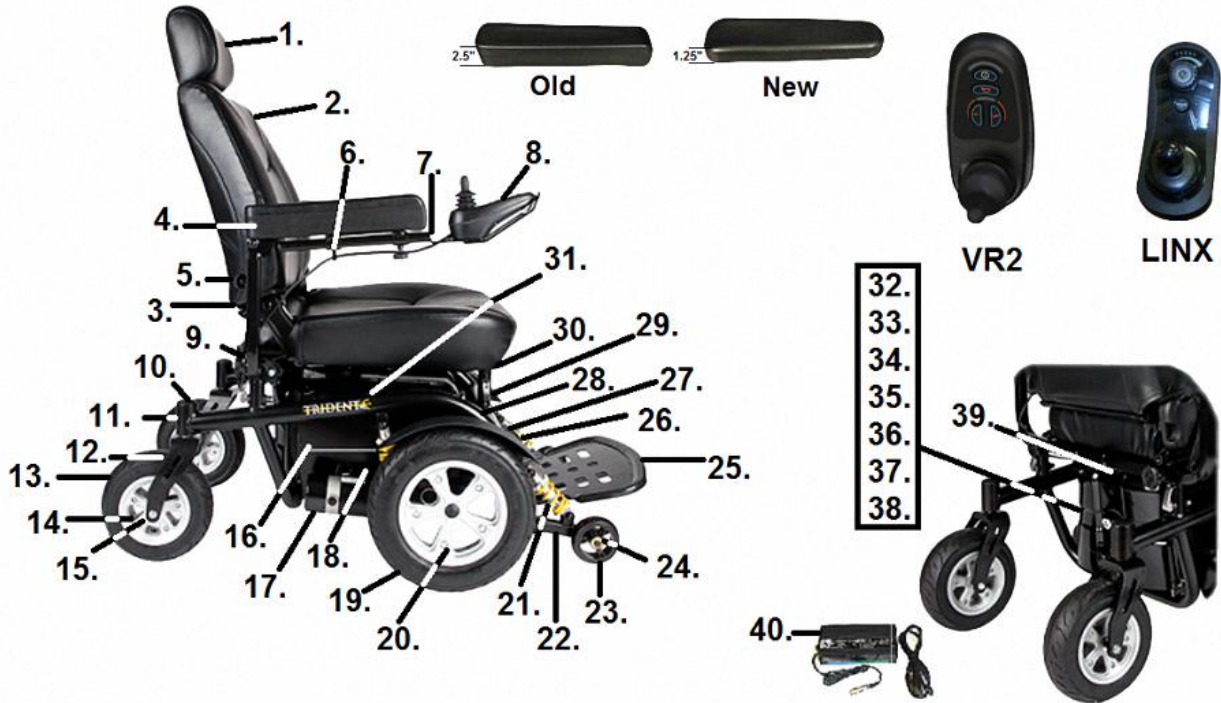


## TRIDENT HD



- 1. Headrest- TRIDHD-26
- 2. 22" Seat- TRIDHD-07  
24" Seat- TRIDHD-08  
22" Pan Seat Assembly- TRIDHD-33  
24" Pan Seat Assembly- TRIDHD-34
- 3. Armrest Assembly Left- TRIDHD-30  
Right- TRIDHD-29 \*\*\*  
\*\*\* (w/o Joystick Bracket)  
Armrest Assembly Left- TRIDHD-30N \*\*\*\*  
Right- TRIDHD-29N \*\*\*\*
- 4. Arm Pad- TRID-2A05  
Arm Pad Screws (pr)- TRID-2A51  
Arm Pad- TRID-2A05N \*\*\*\*  
Arm Pad Screws (pr)- TRID-2A51N \*\*\*\*
- 5. Armrest Height Knob- TRID-2A43
- 6. Joystick Mount- TRID-2A38
- 7. Joystick Arm VR2- TRID-2A36  
Linx- TRID-2A36-LINX\*
- 8. Joystick VR2- S350169701  
Linx- LINX-JOYSTICK\*  
Joystick Tip Linx- DC GPL55470  
Extension Cable- GLM-BUS150-A\*\*
- 9. Armrest Width Knob- TRID-2A44
- 10. Dust Cap- TRIDHD-04
- 11. Fork Stem Bearing- STDS2050
- 12. Fork- TRIDHD-01
- 13. Caster Tire Only- TRIDHD-24
- 14. Caster Complete- TRIDHD-02  
Bearings (pr)- TRIDHD-32
- 15. Caster Axle- TRIDHD-03
- 16. Motor Shock Absorber- TRIDHD-23
- 17. Motor/Gearbox Assembly  
VR2 Left- TRIDHD-17  
VR2 Right- TRIDHD-18  
Linx Left- TRIDHD-17-DY\*  
Linx Right- TRIDHD-18-DY\*
- Motor Brush (ea) VR2 & Linx- SF5012
- 18. Motor Mount- - TRIDHD-09
- 19. Drive Tire Only- TRIDHD-27
- 20. Drive Wheel Complete- TRIDHD-06  
(includes mounting nut & washer)
- 21. Anti-Tipper Shock Absorber- TRID-2A19
- 22. Anti-Tipper Arm- TRID-2A18
- 23. Anti-Tipper Wheel- TRID-2A16
- 24. Anti-Tipper Axle- TRID-2A17
- 25. Footrest & Bolt- TRIDHD-21
- 26. Footrest Bracket & Knob- TRIDHD-22
- 27. Fender (Left or Right)- - TRIDHD-19
- 28. Main Frame- TRIDHD-10
- 29. Height Adjustment Pins (3 ea)- TRID-2A28
- 30. Upper Frame- TRIDHD-11
- 31. Seat Latch- TRIDHD-20
- 32. Rear Battery Cover- TRIDHD-25
- 33. Battery Case  
VR2 Pair- TRIDHD-15  
1 Plug- TRIDHD-15-1  
2 Plug- - TRIDHD-15-2  
Linx Pair- TRIDHD-53-LINX  
1 Plug- TRIDHD-15-1  
2 Plug- TRIDHD-15-2-LINX
- 34. Battery Tray- TRIDHD-13
- 35. Battery Tray Slides- TRIDHD-12
- 36. Battery Tray Release Pin- TRIDHD-14
- 37. Battery Tray Hold Down Bolt- TRIDHD-16
- 38. Battery (2 needed)- LRB402308
- 39. Controller VR2- TRIDHD-28  
Linx- TRIDHD-28-LINX  
Battery to Controller Cable- TRIDHD-31
- 40. Charger- CPC  
When Stock is gone use LRA402210.

- ELR Adapter kit
- Seat Plate Bracket- TRID-2A47
- ELR Bracket- SFELR
- ELR- LK3JELR

- \* Ser # 2A160800105 & later
- \*\* Linx Joystick Only
- \*\*\*\* Ser # 2A1707600001 & later